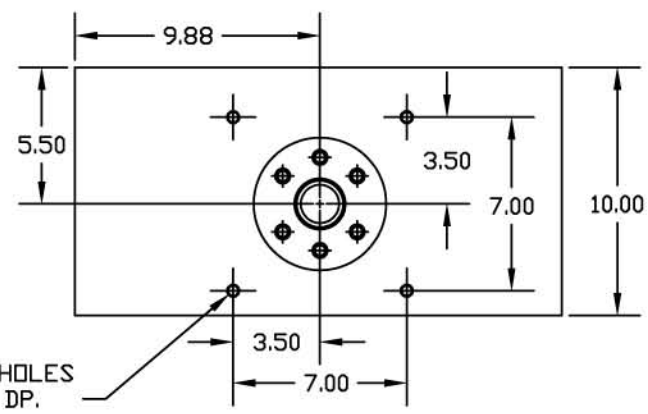
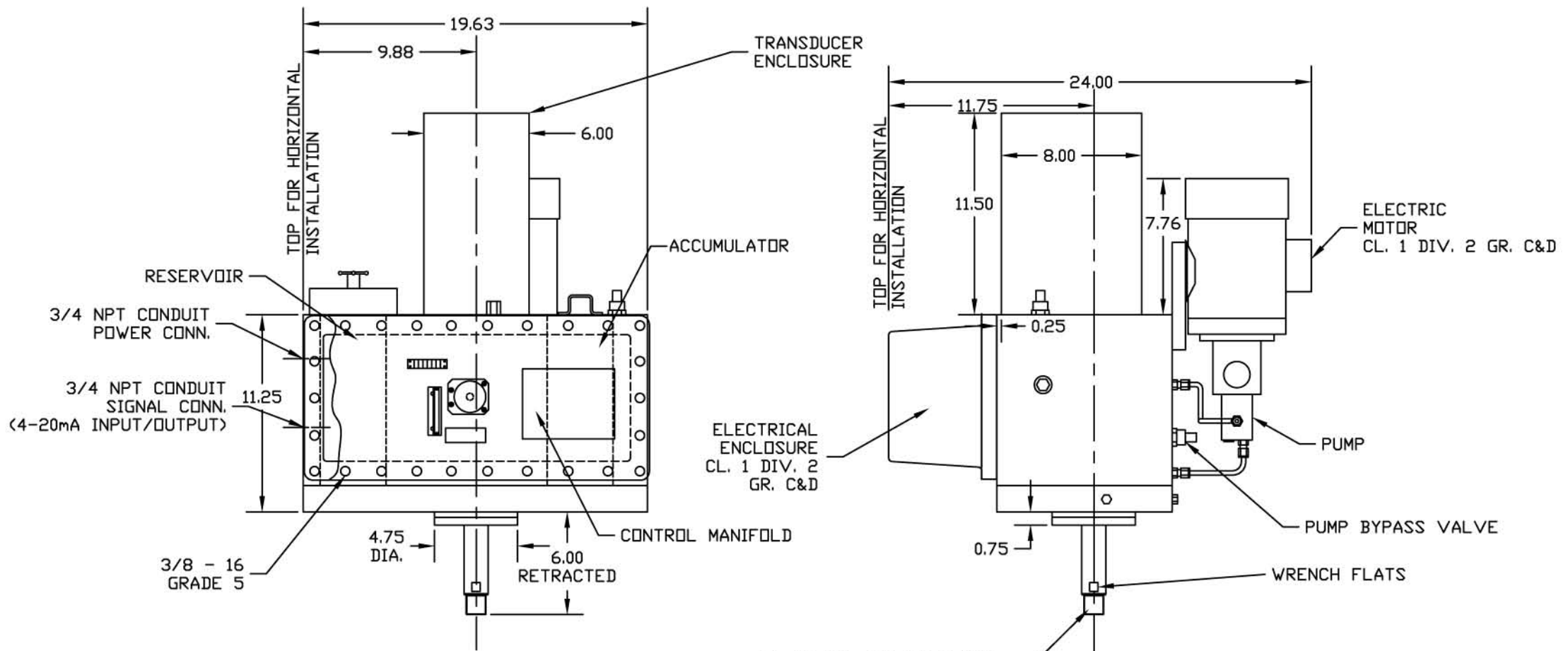


DATE	SYM	REVISION RECORD	AUTH	DR	CK





1 3/8" DIA. CYLINDER ROD
 1 1/4-18 UNEF THREAD
 X 1.50 FULL THREAD

OPERATING TEMPERATURE: 0°F TO 150°F
 EXPANDED RANGE: -40°F TO 150°F
 WEIGHT: 170 LBS.

ALL DIMENSIONS IN INCHES

- NOTES:
- UNIT SHIPPED WITH HYDRAULIC FLUID. (REPLACE OR ADD WITH MOBIL DTE 13 ONLY)
 - INSTALL UNIT VERTICAL (AS SHOWN) OR HORIZONTAL WITH RESERVOIR UP.
 - UNIT SHIPPED CHARGED WITH DRY NITROGEN. SEE SPECIFICATION FOR DETAILS.
 - UNIT SHIPPED WITH ADDITIONAL DIPSTICK FOR HORIZONTAL MOUNTING.
 - TWO 3/8" LIFTING EYES ARE LOCATED ON THE TOP OF THE ACTUATOR

FOR INFORMATION ONLY

 M.E.A. INC., ELK GROVE, ILL. 			
THIS DRAWING IS THE PROPERTY OF M.E.A. INC. IT IS LOANED WITH THE UNDERSTANDING THAT IT MAY NOT BE REPRODUCED NOR MAY THE INFORMATION CONTAINED HEREIN BE USED FOR THE MAKING OF DRAWINGS OR FOR MANUFACTURING PURPOSES WITHOUT THE WRITTEN CONSENT OF M.E.A. INC.			
THIS IS AN AUTOCAD DRAWING. DO NOT REVISE MANUALLY. CAD FILE # 7995	SCALE NTS	DRAWN BY CC	CK
TITLE ACTUATOR-4" LINEAR, 3.25" BORE		APPROVED BY EXP. PROOF	
DATE 10-20-99	DRAWING NUMBER 440-01-560-01	REV. 0	