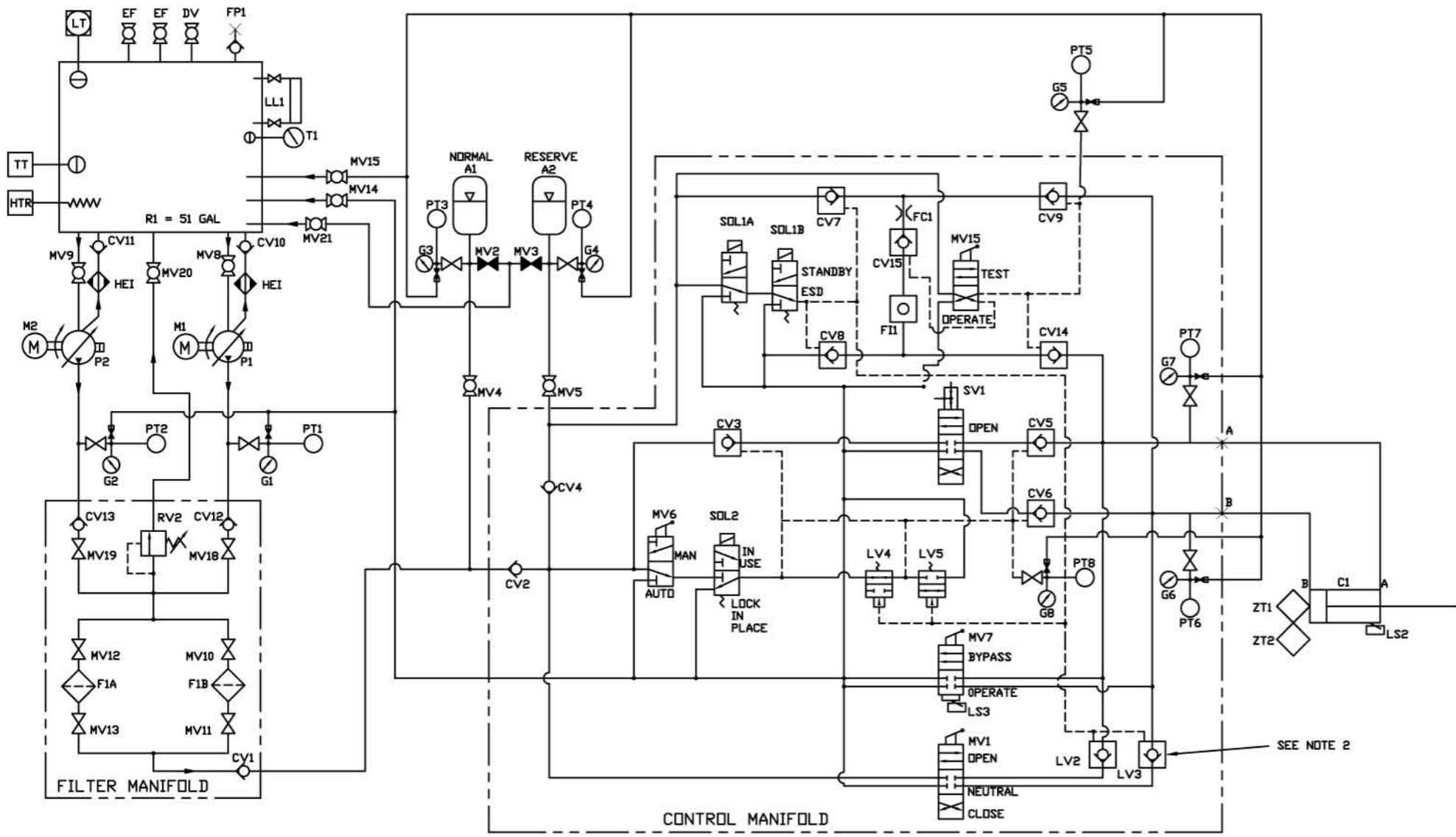


DATE	SYM	REVISION RECORD	ECN#	DR	CK



LEGEND

	LEVEL SWITCH		RELIEF VALVE
	ACCUMULATOR		CHECK VALVE (CV)
	FLOW CONTROL ORIFICE (FC)		PILOT CHECK VALVE (CV)
	PRESSURE GAUGE (G)		HYDRAULIC VALVE (SOLENOID CONTROLLED) SOLX.NC = CLOSED, ENERGISE TO OPERATE SOLX.NO = OPEN, ENERGISE TO CLOSE
	PRESSURE SWITCH		HYDRAULIC VALVE (HAND OPER.) (MV)
	FILTER		SERVO VALVE (SV)
	TEMPERATURE SWITCH		HAND VALVE NORMALLY OPEN
	TEMPERATURE INDICATOR		HAND VALVE NORMALLY CLOSED
	MOTOR OPER. PUMP		BALL VALVE
	FILL PORT		HYD MAIN LINE
	LEVEL GAUGE		HYD PILOT LINE
	POSITION TRANSDUCER		LIMIT SWITCH
	FLOW INDICATOR		HEAT EXCHANGER
	PRESSURE TRANSMITTER		CYLINDER
	LEVEL TRANSMITTER		HEATER
	TEMPERATURE TRANSMITTER		

- NOTES:**
- SOLENOIDS SHOWN IN SHELF STATE
 - LOGIC VALVES ARE TRANSPARENT WHEN NO PILOT PRESSURE IS PRESENT. IT IS OPEN TO BOTH DIRECTIONS.

SEE NOTE 2

C12495-505A (REF)

THIS IS AN AUTOCAD DRAWING. DO NOT REVISE MANUALLY. CAD FILE # 11807

INC., ELK GROVE, ILL.				
THIS DRAWING IS THE PROPERTY OF ME.A. INC. IT IS LOANED WITH THE UNDERSTANDING THAT IT MAY NOT BE REPRODUCED NOR MAY THE INFORMATION CONTAINED HEREIN BE USED FOR THE MAKING OF DRAWINGS OR FOR MANUFACTURING PURPOSES WITHOUT THE WRITTEN CONSENT OF ME.A. INC.				
TOLERANCES <small>(EXCEPT AS NOTED)</small>	±N/A	SCALE N/A	DRAWN BY MC	CK RM
		APPROVED BY MAC		
TITLE UOP SPEC. HYD. SCHEMATIC				
DATE 04/23/08	DRAWING NUMBER CP13145-501			REV. 0