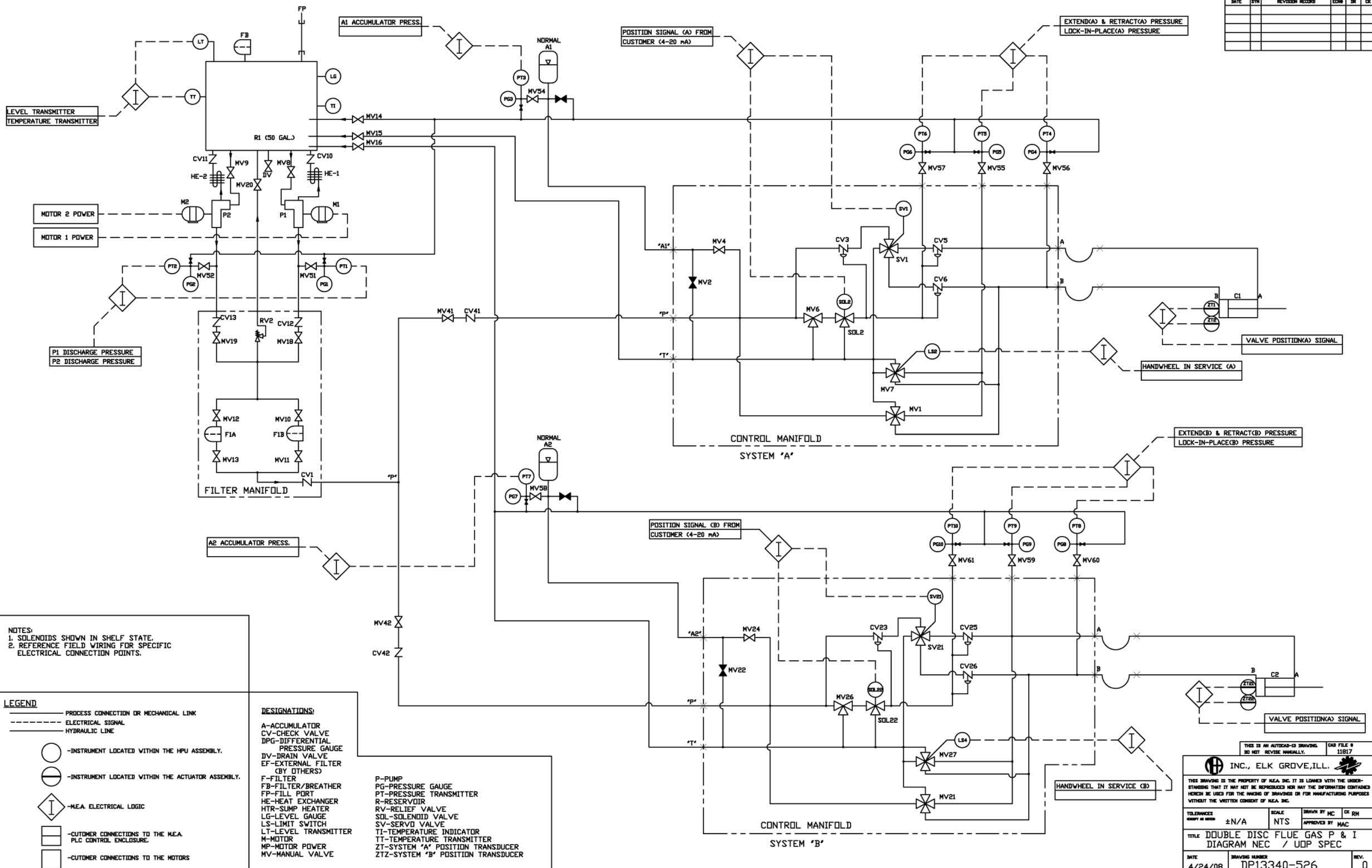


DATE	SYN	REVISION RECORD	EDW	JR	CK



NOTES:  
 1. SOLENOIDS SHOWN IN SHELF STATE.  
 2. REFERENCE FIELD WIRING FOR SPECIFIC ELECTRICAL CONNECTION POINTS.

**LEGEND**

— PROCESS CONNECTION OR MECHANICAL LINK  
 - - - ELECTRICAL SIGNAL  
 ——— HYDRAULIC LINE

○ - INSTRUMENT LOCATED WITHIN THE HPU ASSEMBLY.  
 ◐ - INSTRUMENT LOCATED WITHIN THE ACTUATOR ASSEMBLY.  
 ◇ - M.E.A. ELECTRICAL LOGIC

□ - CUSTOMER CONNECTIONS TO THE M.E.A. PLC CONTROL ENCLOSURE.  
 □ - CUSTOMER CONNECTIONS TO THE MOTORS

**DESIGNATIONS:**

A-ACCUMULATOR  
 CV-CHECK VALVE  
 DPG-DIFFERENTIAL PRESSURE GAUGE  
 DV-DRAIN VALVE  
 EF-EXTERNAL FILTER (BY OTHERS)  
 F-FILTER  
 FB-FILTER/BREATHING  
 FP-FILL PORT  
 HE-HEAT EXCHANGER  
 HTR-SUMP HEATER  
 LG-LEVEL GAUGE  
 LS-LIMIT SWITCH  
 LT-LEVEL TRANSMITTER  
 M-MOTOR  
 MP-MOTOR POWER  
 MV-MANUAL VALVE

P-PUMP  
 PG-PRESSURE GAUGE  
 PT-PRESSURE TRANSMITTER  
 R-RESERVOIR  
 RV-RELIEF VALVE  
 SOL-SOLENOID VALVE  
 SV-SERVO VALVE  
 TI-TEMPERATURE INDICATOR  
 TT-TEMPERATURE TRANSMITTER  
 ZT-SYSTEM 'A' POSITION TRANSDUCER  
 ZT2-SYSTEM 'B' POSITION TRANSDUCER

THIS IS AN AUTOCAD-DWG DRAWING. DO NOT REVISE MANUALLY. CAB FILE # 11817

**INC., ELK GROVE, ILL.**

THIS DRAWING IS THE PROPERTY OF M.E.A. INC. IT IS LOANED WITH THE UNDERSTANDING THAT IT MAY NOT BE REPRODUCED NOR MAY THE INFORMATION CONTAINED HEREIN BE USED FOR THE MAKING OF DRAWINGS OR FOR MANUFACTURING PURPOSES WITHOUT THE WRITTEN CONSENT OF M.E.A. INC.

TOLERANCES UNLESS AS NOTED	±N/A	SCALE	NTS	DRAWN BY	MC	CK	RH
TITLE				APPROVED BY			
DOUBLE DISC FLUE GAS P & I DIAGRAM NEC / UOP SPEC				MAC			
DATE	4/24/08	DRAWING NUMBER	DP13340-526	REV.	0		