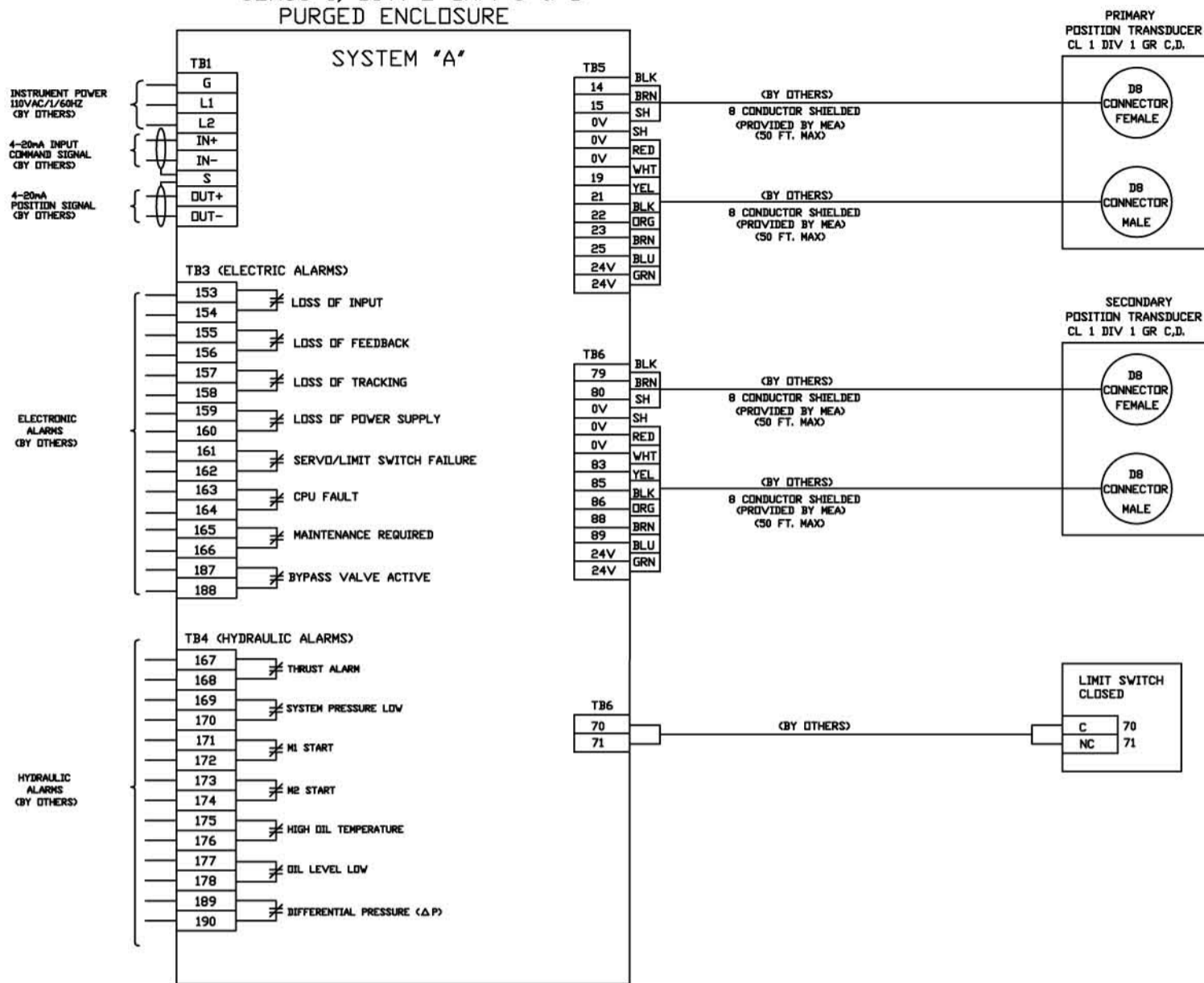
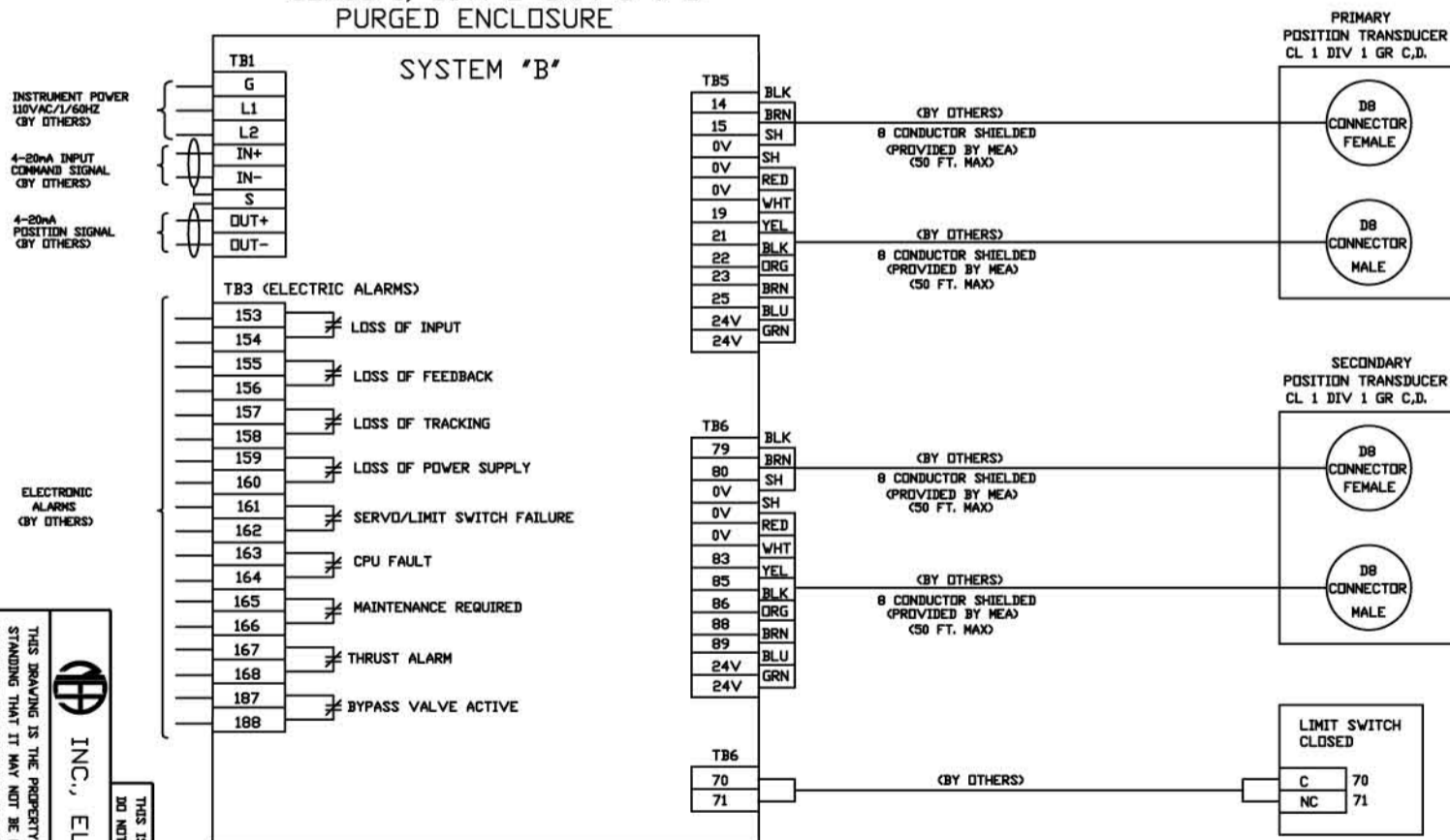


CONTROL ENCLOSURE
CLASS I, DIV. 2 GRP. C & D
PURGED ENCLOSURE



CONTROL ENCLOSURE
CLASS I, DIV. 2 GRP. C & D
PURGED ENCLOSURE



NOTES:
1. ALARM CONTACTS ARE SHOWN IN NORMAL OPERATING STATE.
2. NOT SHOWN IS CONNECTION TO PUMP MOTORS 460/3/60 VAC.

THIS IS AN AUTOCAD DRAWING. DO NOT REVISE MANUALLY. CAD FILE # 11816

INC., ELK GROVE, ILL.

DATE: 4/24/08
DRAWING NUMBER: CP12211-505
REV: 0

TOLERANCES: ±N/A
SCALE: N/A
DRAWN BY: MC
APPROVED BY: MAC
CK: RM

THIS DRAWING IS THE PROPERTY OF M.E.A. INC. IT IS LOANED WITH THE UNDERSTANDING THAT IT MAY NOT BE REPRODUCED NOR MAY THE INFORMATION CONTAINED HEREIN BE USED FOR THE MAKING OF DRAWINGS OR FOR MANUFACTURING PURPOSES WITHOUT THE WRITTEN CONSENT OF M.E.A. INC.

DATE	SYM	REVISION RECORD	ENR#	DR	CK