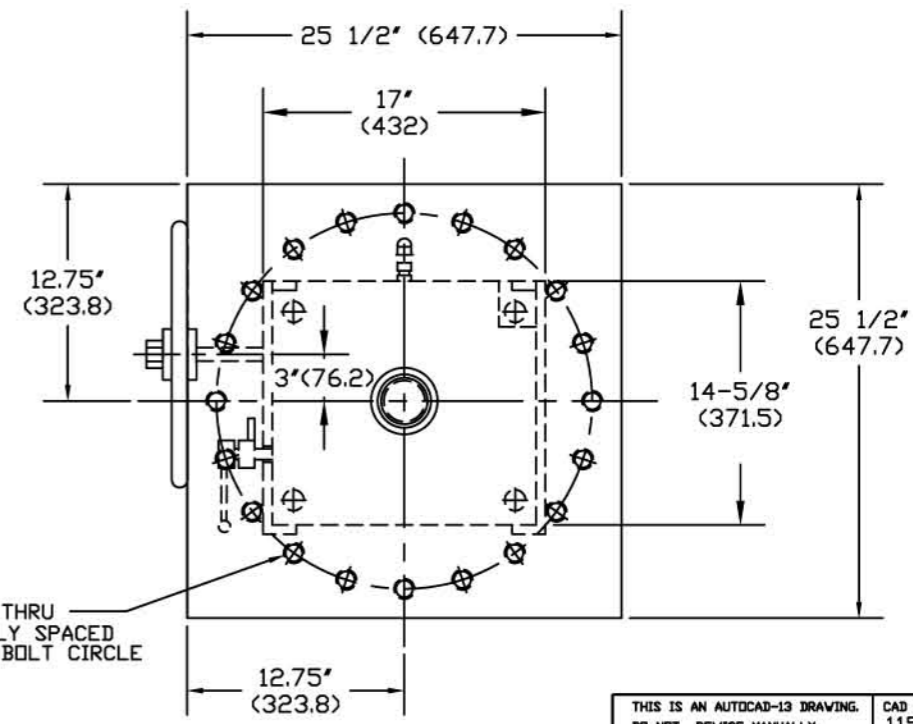
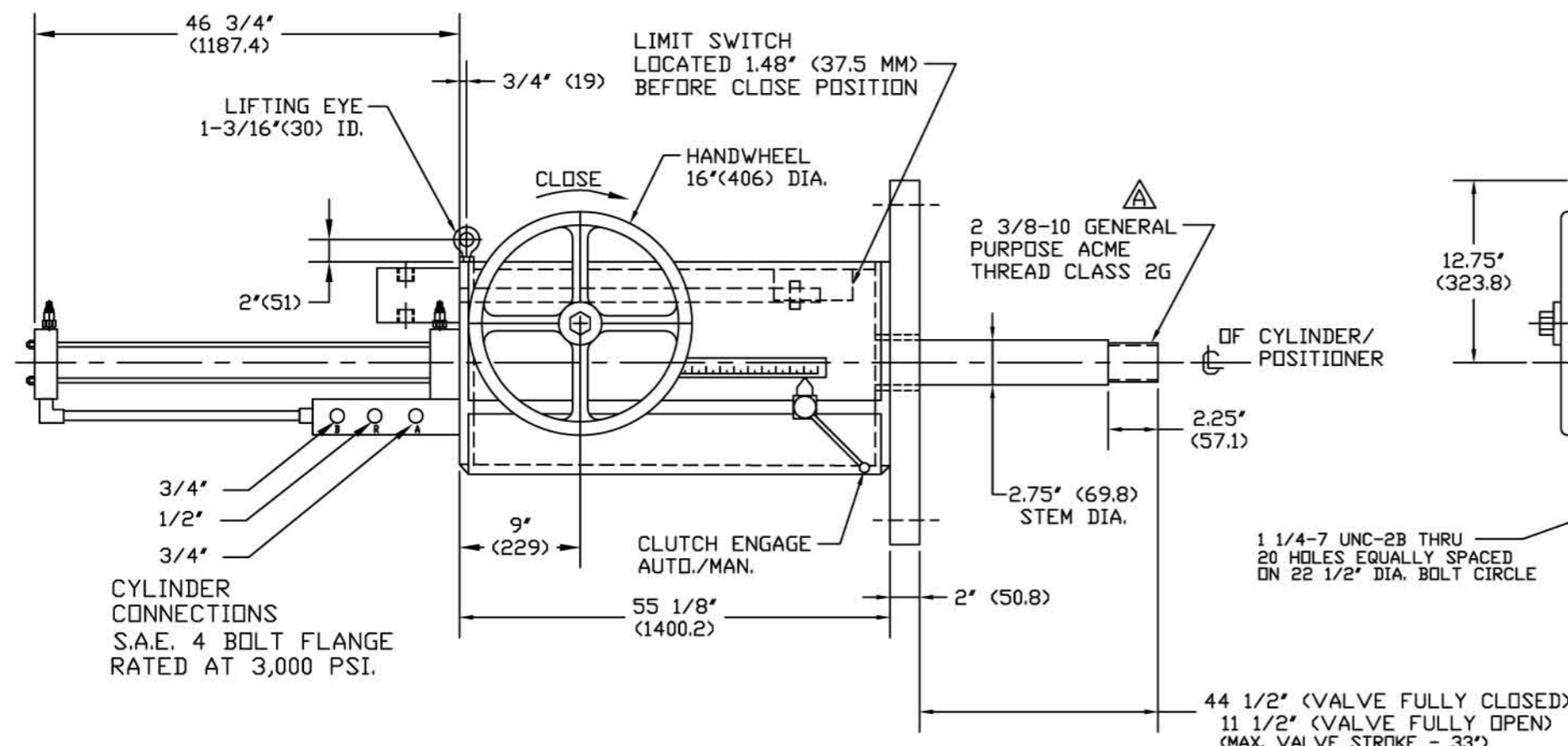
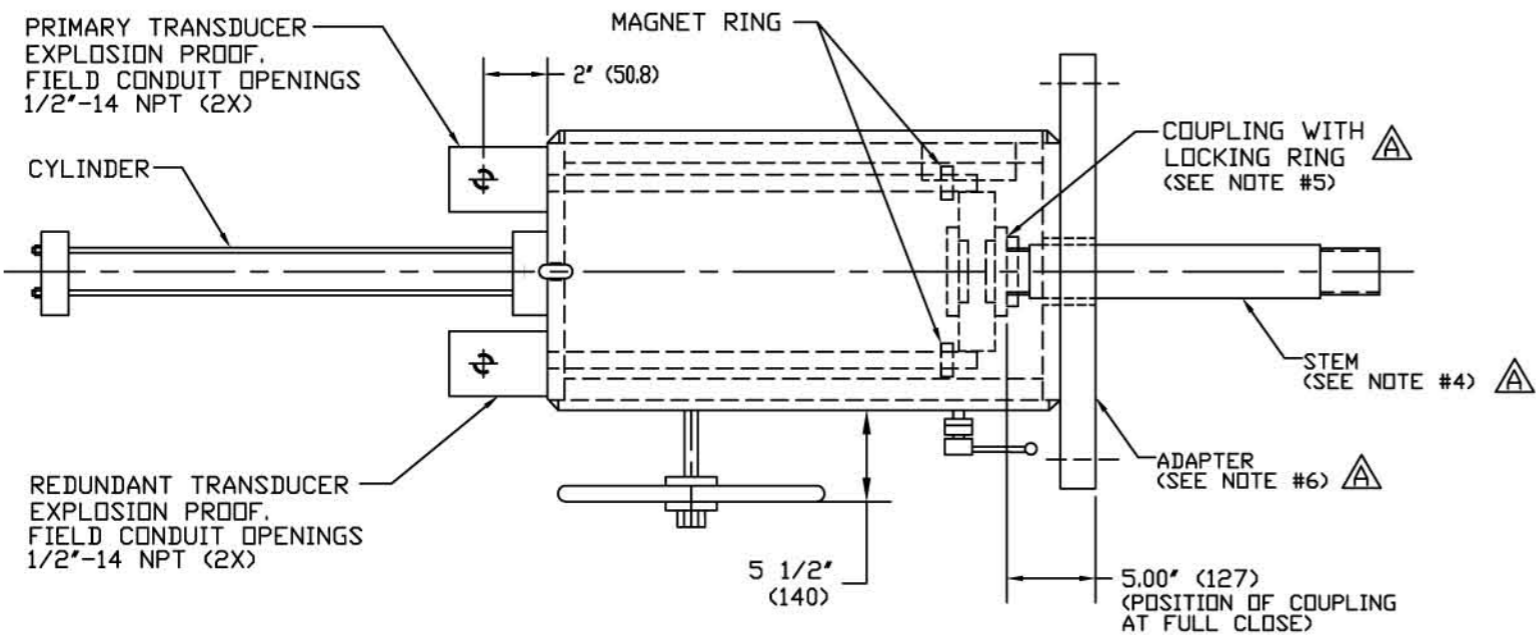


DATE	SYM	REVISION RECORD	ECN	DR	CK
7/30/08	A	ADDED ADAPTER, STEM & COUPLING	3980	CC	MC



THIS IS AN AUTOCAD-13 DRAWING. CAD FILE # 11535A
DO NOT REVISE MANUALLY.

- NOTES:
1. DIMENSIONS IN INCHES (mm)
 2. CYLINDER BORE / MAX. STROKE - 5" (127) / 36" (914.4)
 3. WEIGHT - 1600 LBS (726.4 KG)
 4. STEM MADE OF 17-4PH STAINLESS STEEL.
 5. COUPLING MADE OF 303 STAINLESS STEEL.
 6. ADAPTER MADE OF ASTM A-36 HOT ROLLED STEEL.
HOT DIP GALVANIZED.

C11485-501 REF.
C4368-502B REF.

M.E.A. INC. ELK GROVE, ILL.

THIS DRAWING IS THE PROPERTY OF M.E.A. INC. IT IS LOANED WITH THE UNDERSTANDING THAT IT MAY NOT BE REPRODUCED NOR MAY THE INFORMATION CONTAINED HEREIN BE USED FOR THE MAKING OF DRAWINGS OR FOR MANUFACTURING PURPOSES WITHOUT THE WRITTEN CONSENT OF M.E.A. INC.

TOLERANCES (EXCEPT AS NOTED)	SCALE NONE	DRAWN BY CC	CK MC
		APPROVED BY MC	

TITLE
PLUG VALVE ACTUATOR OUTLINE (R.H.)
FCCU3-PV-1A AND FCCU3-PV-1B VALVES

DATE 1/24/08	DRAWING NUMBER C13150-500	REV. A
-----------------	------------------------------	-----------