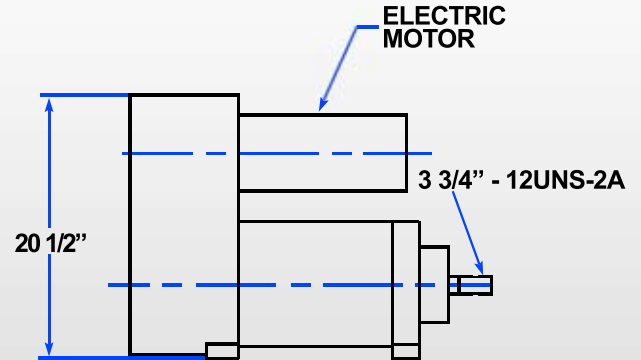
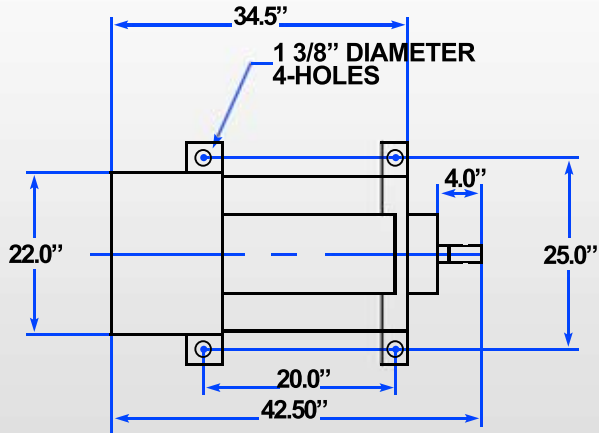


Specifications for:

M.E.A. Digital Modulating (*Proportional Control*) Electric Cylinder



30,000 pounds (13,608 kg) operating thrust