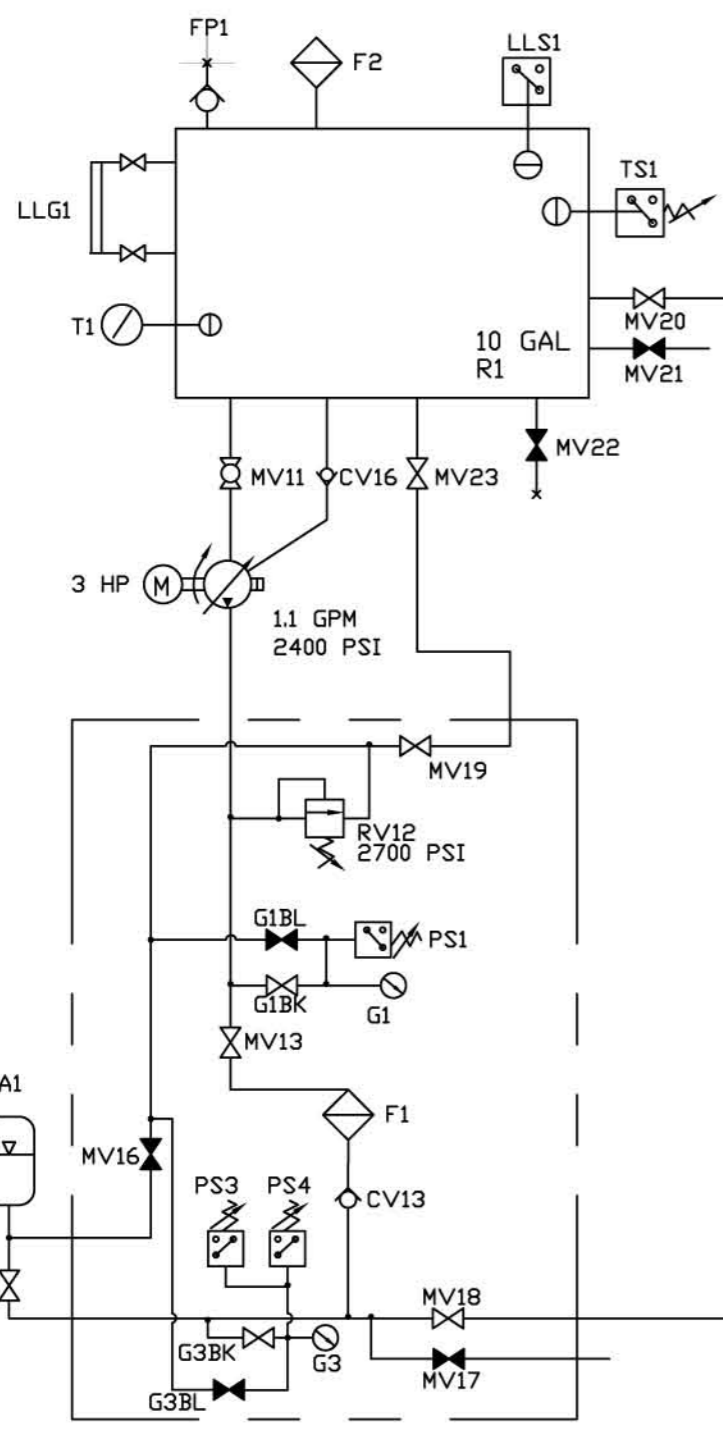


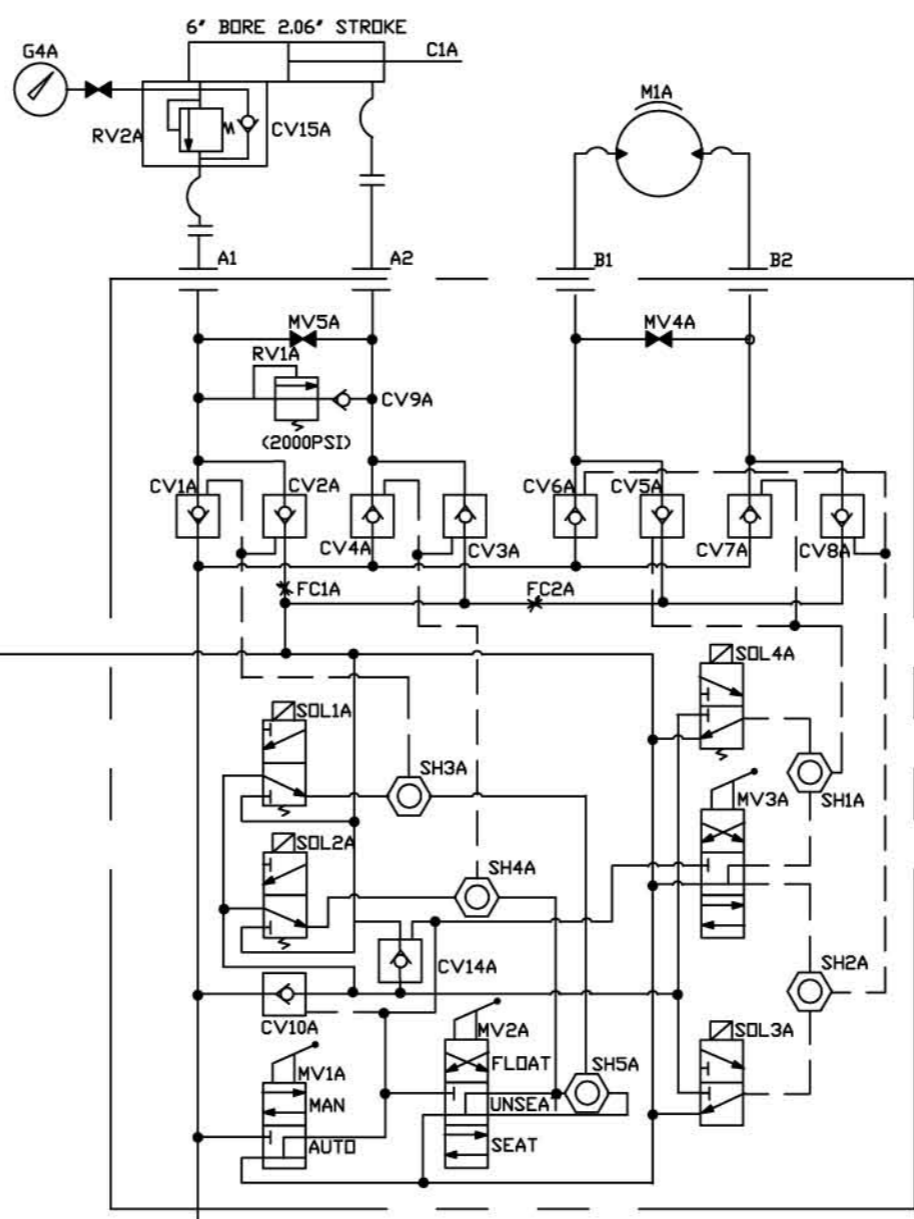
DATE	SYM	REVISION RECORD	ECN#	DR	CK

ACTUATOR CONTROL

POWER UNIT



POWER UNIT



LEGEND

- LEVEL SWITCH
- ACCUMULATOR
- FLOW CONTROL ORIFICE (FC)
- PRESSURE GAUGE (G)
- PRESSURE SWITCH
- RELIEF VALVE
- CHECK VALVE (CV)
- PILOT CHECK VALVE (CV)
- HYDRAULIC VALVE (SOLENOID)
- FILTER
- TEMPERATURE SWITCH
- TEMPERATURE INDICATOR
- MOTOR OPER. PUMP
- HYDRAULIC VALVE (HAND OPER.) (MV)
- HAND VALVE NORMALLY OPEN
- HAND VALVE NORMALLY CLOSED
- BALL VALVE
- HYD. MAIN LINE
- HYD. PILOT LINE

THIS IS AN AUTOCAD DRAWING. DO NOT REVISE MANUALLY. CAD FILE # 11851

INC., ELK GROVE, ILL.

THIS DRAWING IS THE PROPERTY OF M.E.A. INC. IT IS LOANED WITH THE UNDERSTANDING THAT IT MAY NOT BE REPRODUCED NOR MAY THE INFORMATION CONTAINED HEREIN BE USED FOR THE MAKING OF DRAWINGS OR FOR MANUFACTURING PURPOSES WITHOUT THE WRITTEN CONSENT OF M.E.A. INC.

TOLERANCES <small>(EXCEPT AS NOTED)</small>	±N/A	SCALE N/A	DRAWN BY MC	CK RM
TITLE HYDRAULIC SCHEMATIC			APPROVED BY MAC	

DATE 5/8/08	DRAWING NUMBER CP11816-501	REV. 0
----------------	-------------------------------	-----------